

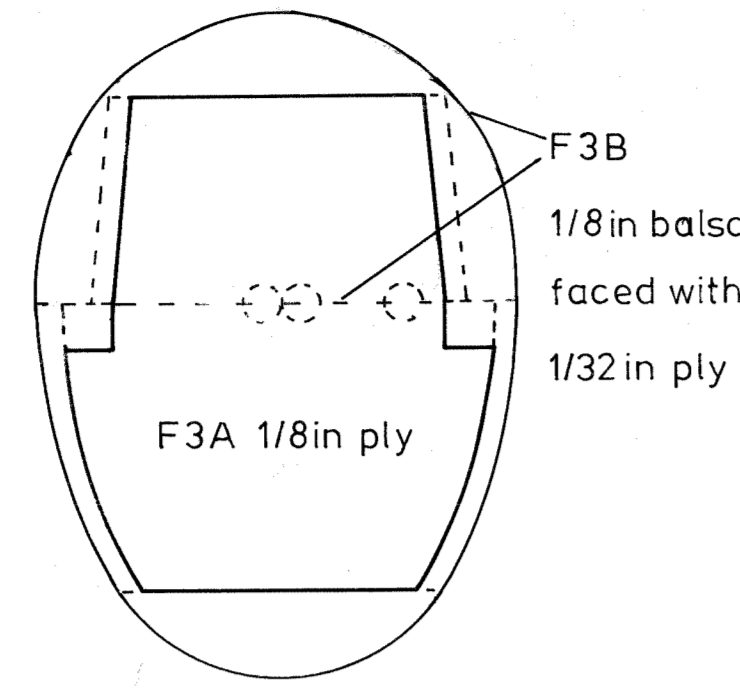
ZEPHYR

98in span Thermal Soarer. IOOS Class

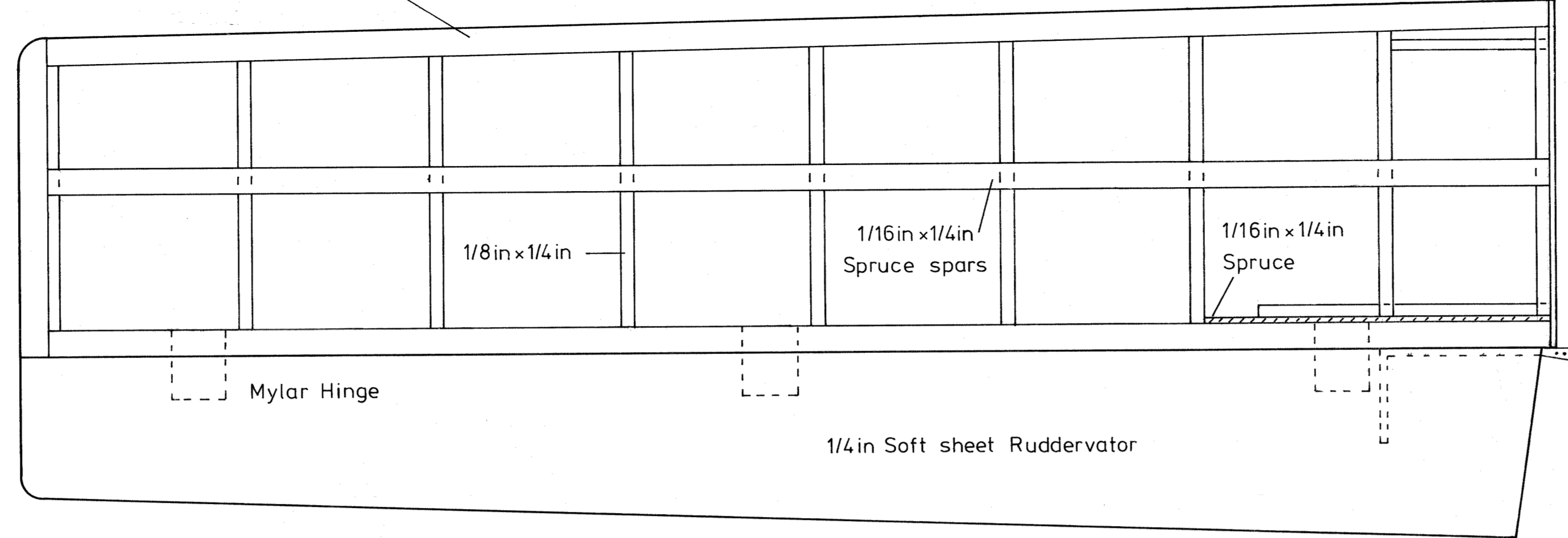
Designed by: Stan Yeo

All woods Balsa unless otherwise stated

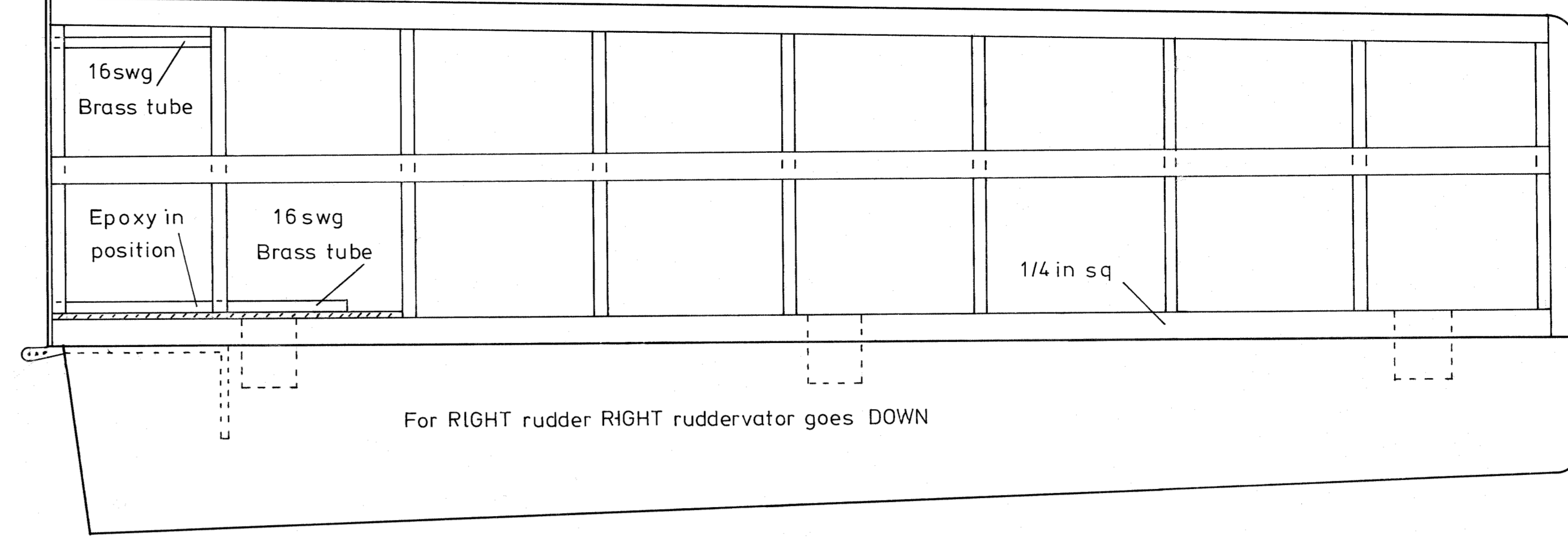
Section thro. Tailplane



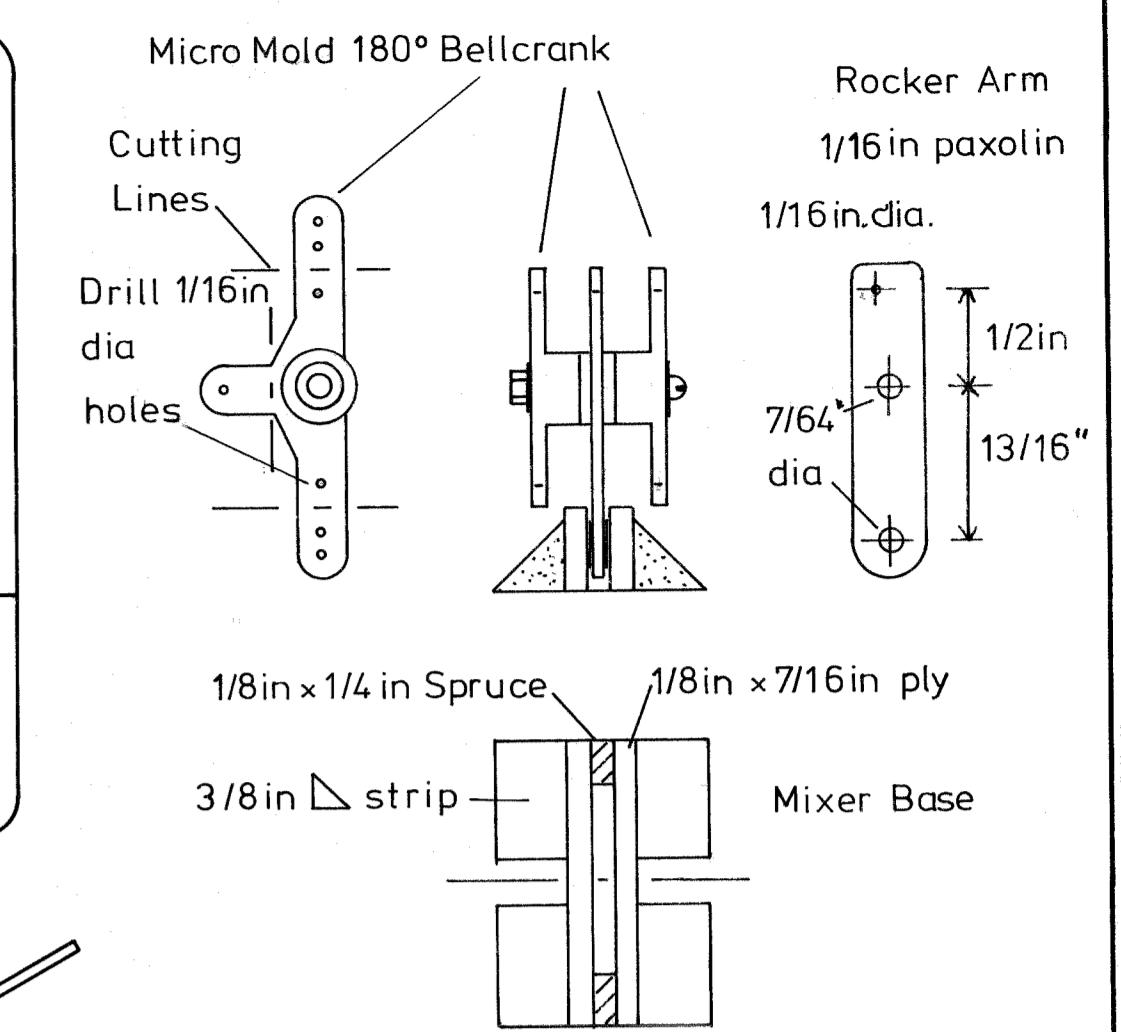
Leading Edge 1/4 in sq



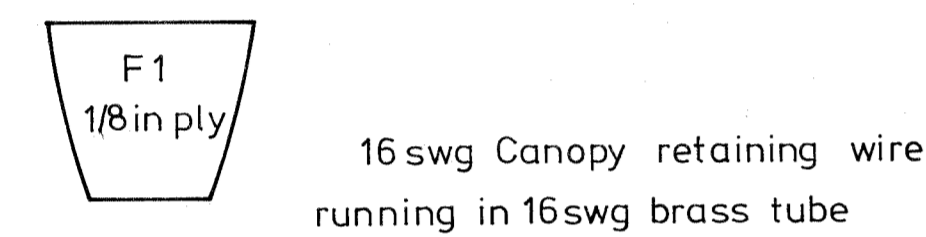
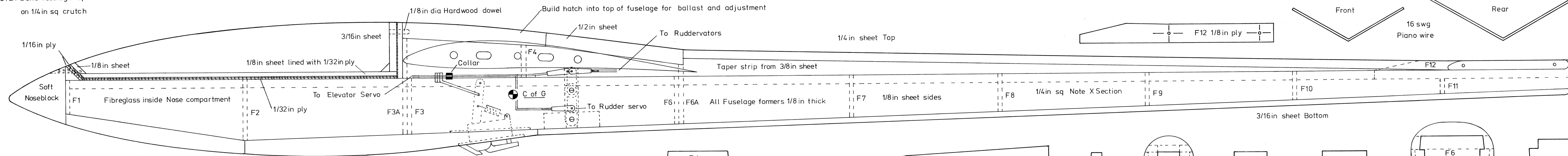
1/32 in ply facing



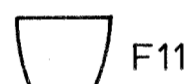
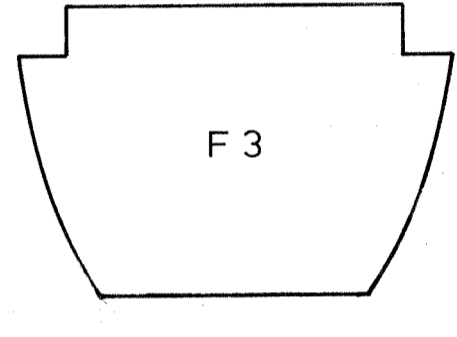
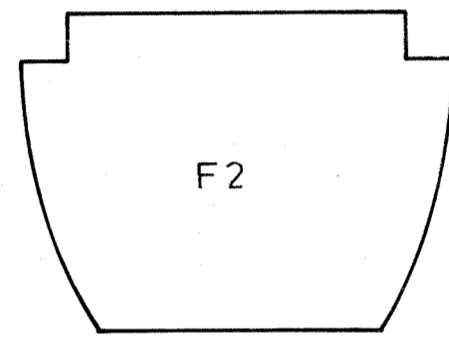
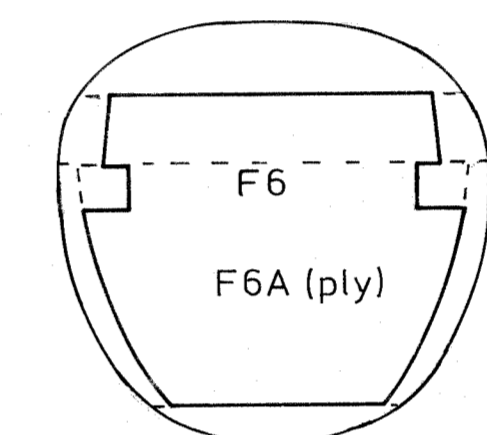
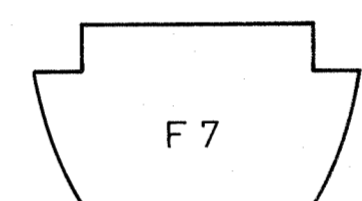
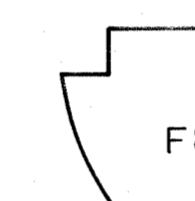
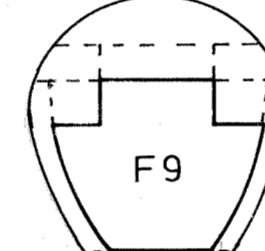
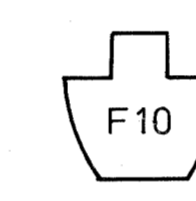
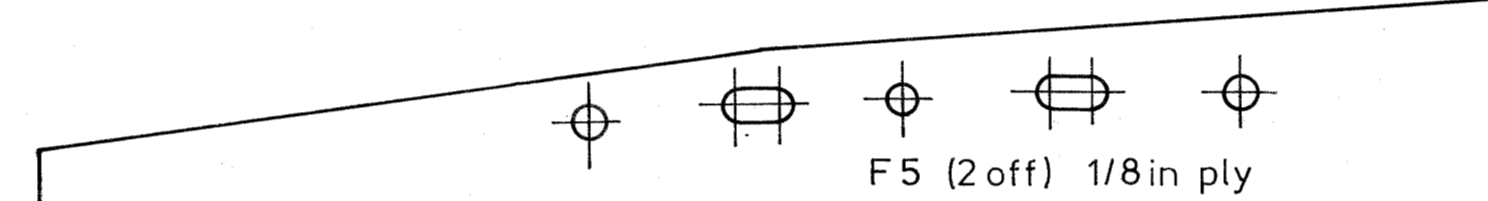
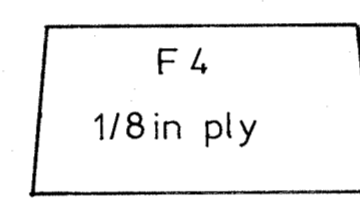
MIXER ASSEMBLY



NOTE: Build fuselage upside down on 1/4 in sq crutch



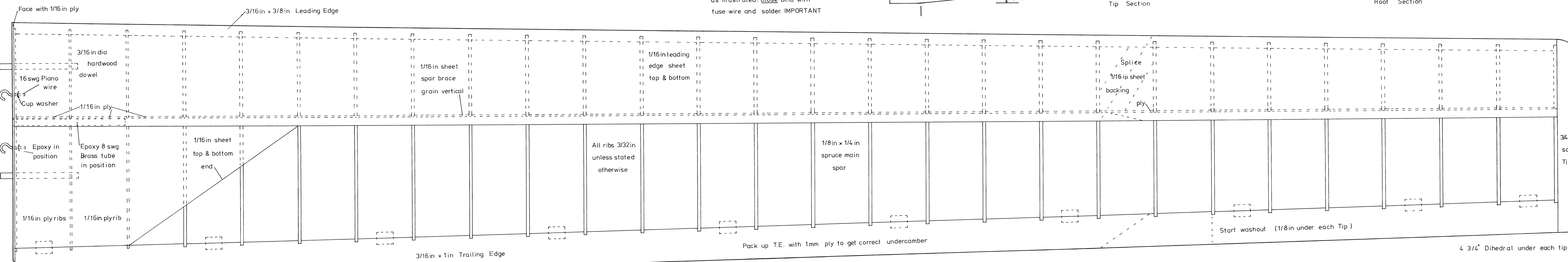
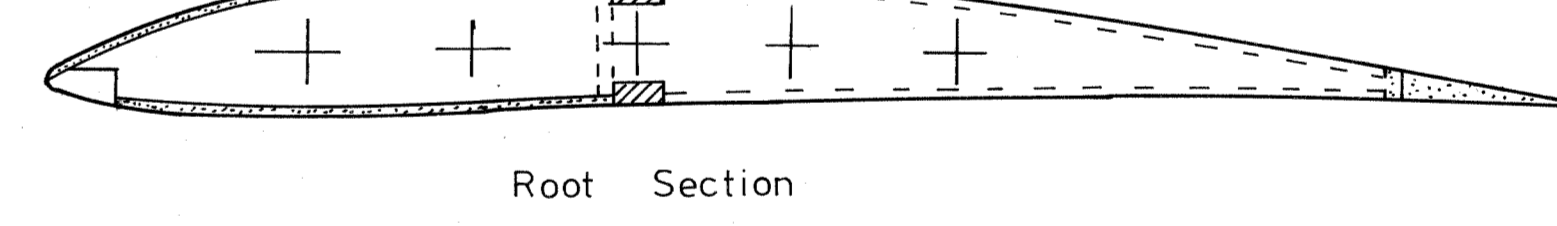
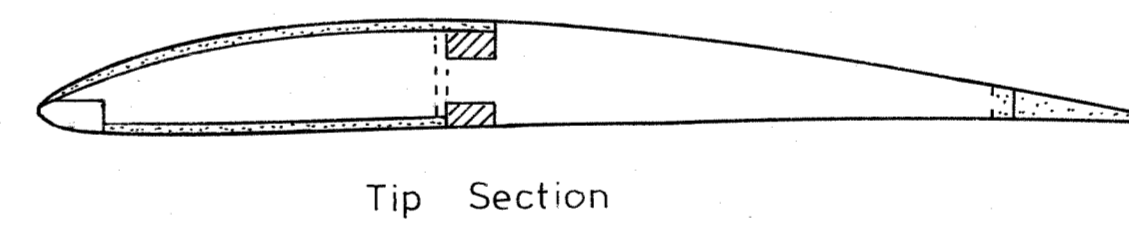
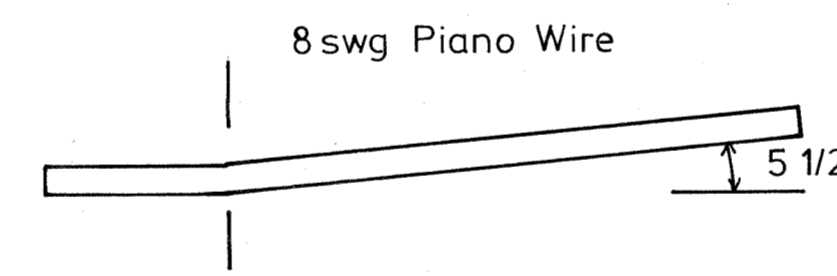
Radio Sailplanes releasable towhook Operated by Elevator servo on full down selection via Collar



Note: Side



Reinforce centre wing dowel tube with 16 swg Piano wire as illustrated. Close bind with fuse wire and solder. IMPORTANT



Start washout (1/8 in under each Tip)

Pack up T.E. with 1mm ply to get correct undercamber

4 3/4" Dihedral under each tip