

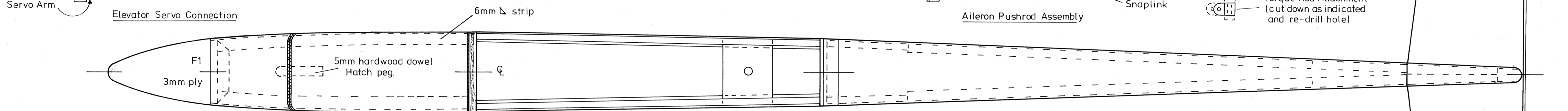
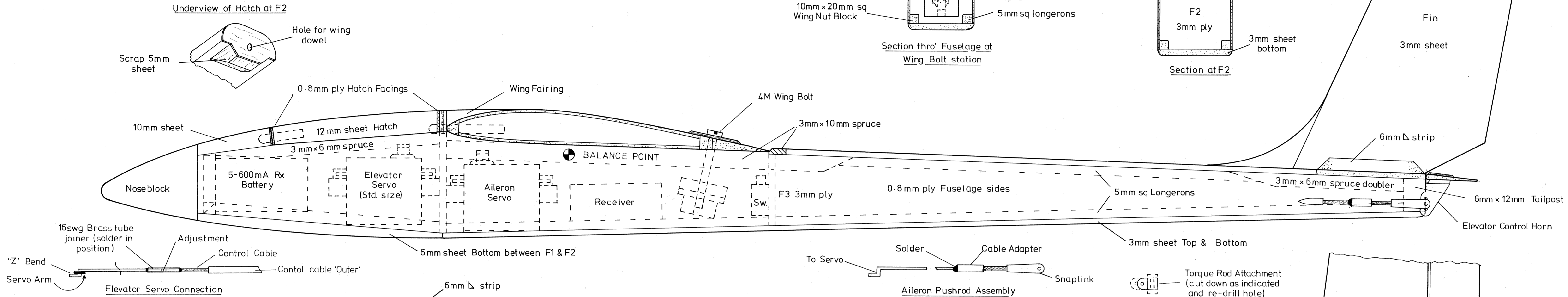
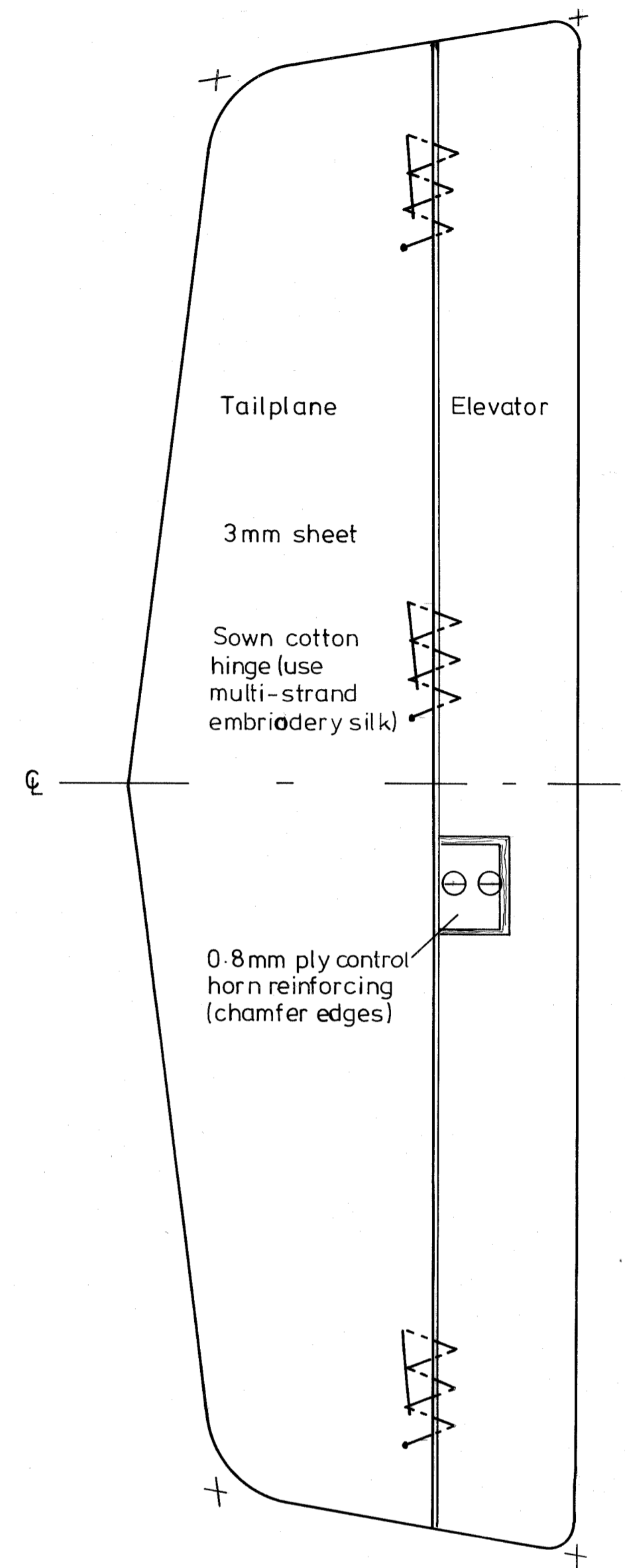
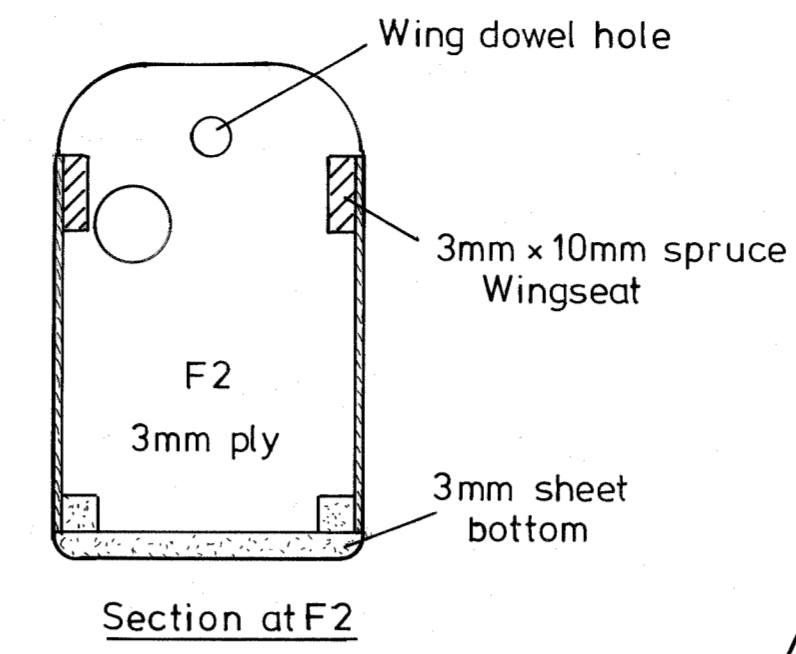
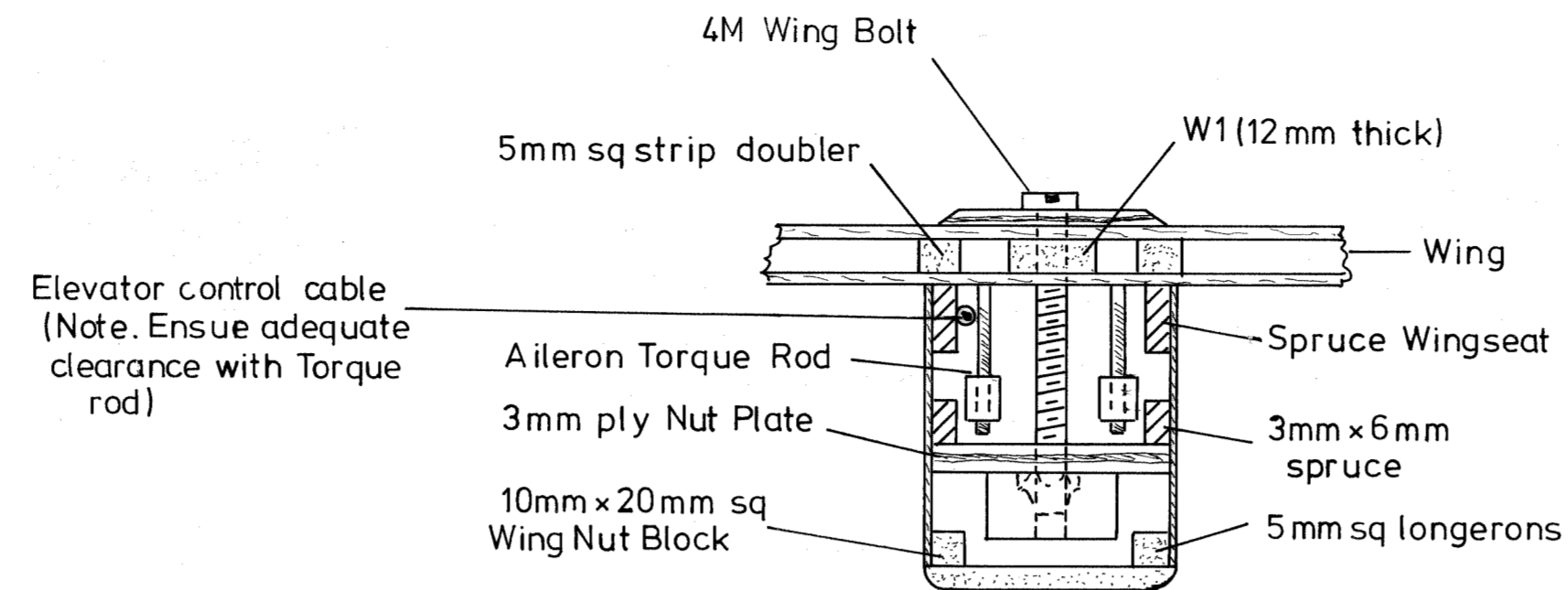
Vagrant

Designed by Stan Yeo
975mm span Adv. Fun Slope Soarer

All wood balsa unless otherwise stated

AERODYNAMIC SETUP

Wing to Tailplane incidence 0 deg.
Typical Flying Weight 525 grams
Controls: Ailerons ± 12 mm
Elevator ± 10 mm
Balance: Nominally 68mm from L.Edge



IMPERIAL EQUIVALENTS

0.8mm = 1/32 in
1.5mm = 1/16 in
3.0mm = 1/8 in
5.0mm = 3/16 in
6.0mm = 1/4 in
10mm = 3/8 in
12mm = 1/2 in

Recommended covering Lightweight tissue applied using Polycell (wallpaper paste) followed by 3 coats of clear dope (2 + 2 x 50%). Add BRIGHT colour scheme.

Build wing flat with no dihedral

