

All Wing Ribs 1.5mm except W1,3 & 4 which 3mm thick

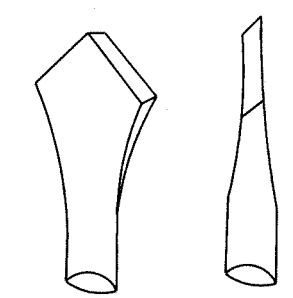
Sellotape diamond or equivalent clear tape

**CONTROL SETTINGS**

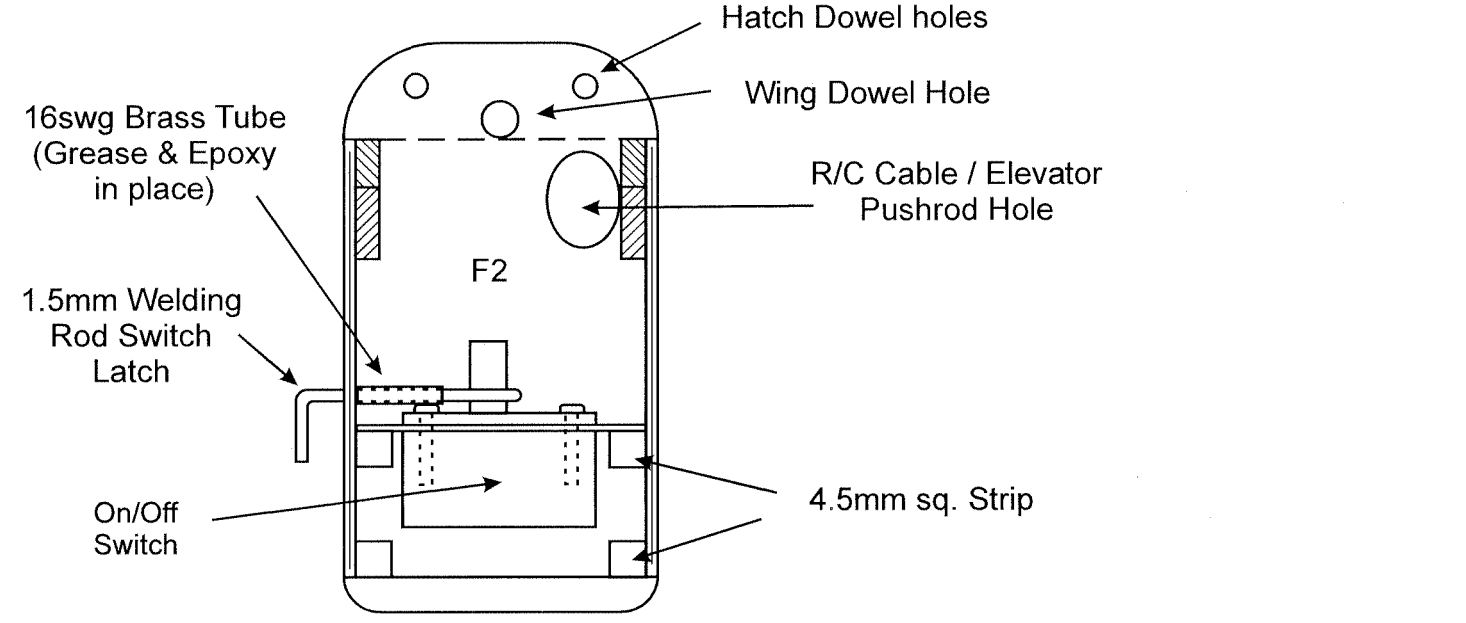
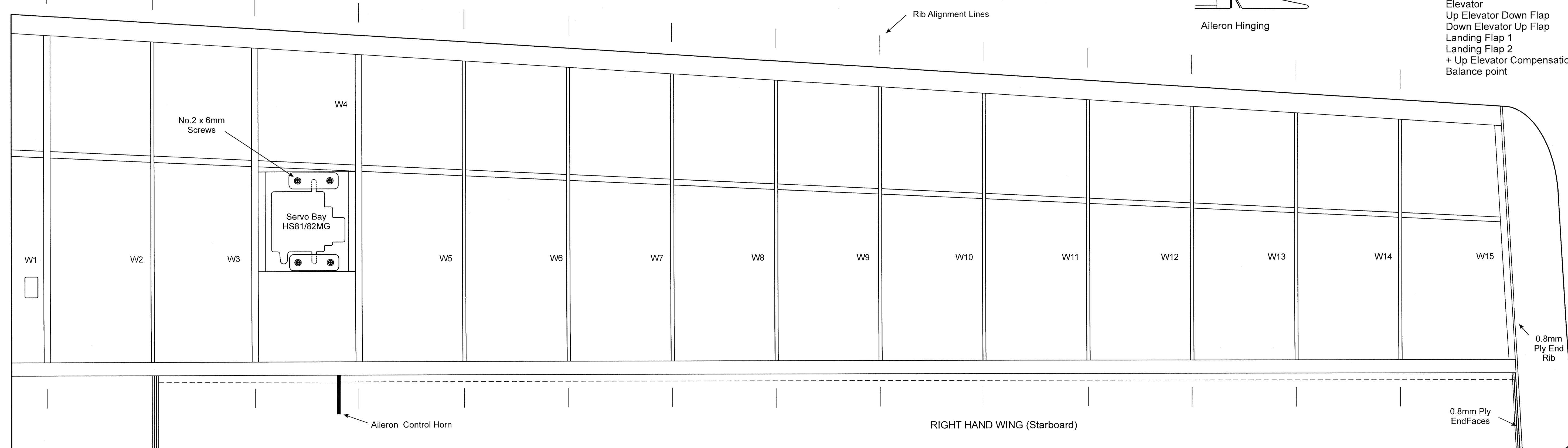
Rudder	Up 30mm	+/- 30mm
Ailerons	Up 16mm Down 13mm	+/- 10mm
Elevator	Up 10mm	+/- 10mm
Up Elevator Down Flap	3mm	
Down Elevator Up Flap	4mm	
Landing Flap 1	Up 6mm	
Landing Flap 2	Up 16mm	
+ Up Elevator Compensation	80mm +/-5mm	
Balance point		

**Pzazz Mk2**  
 Designed by: Stan Yeo  
 1520mm Span Aerobic Slope Soarer

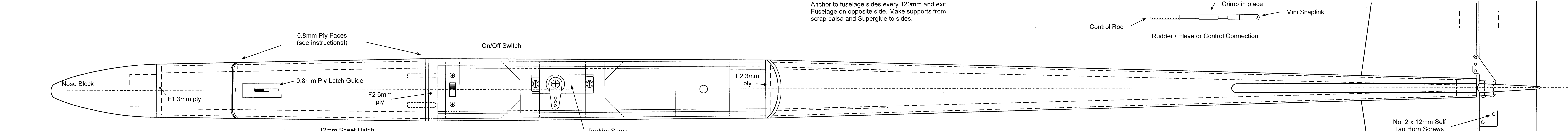
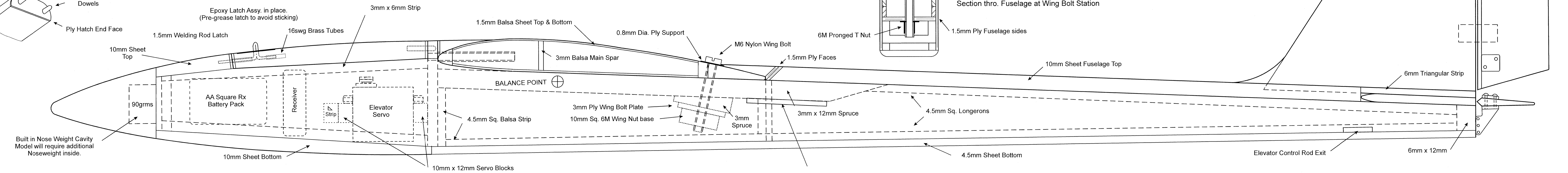
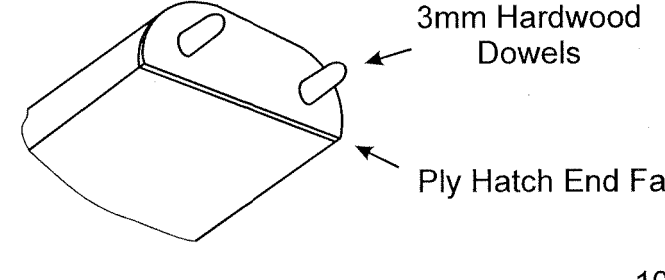
All Wood Balsa unless otherwise stated



**Wing Dowel Drill**  
 1. Heat end of 450mm 4mm Dia. Piano wire & flatten end  
 2. Shape as above and grind in rake to assist in cutting  
 3. Heat tip to cherry red and quench in water.  
 4. Drill hole to check diameter and adjust as necessary.



**Hatch F2 Peg Detail**



**4mm Ply Servo Mount Assembly (Right Wing!!)**

