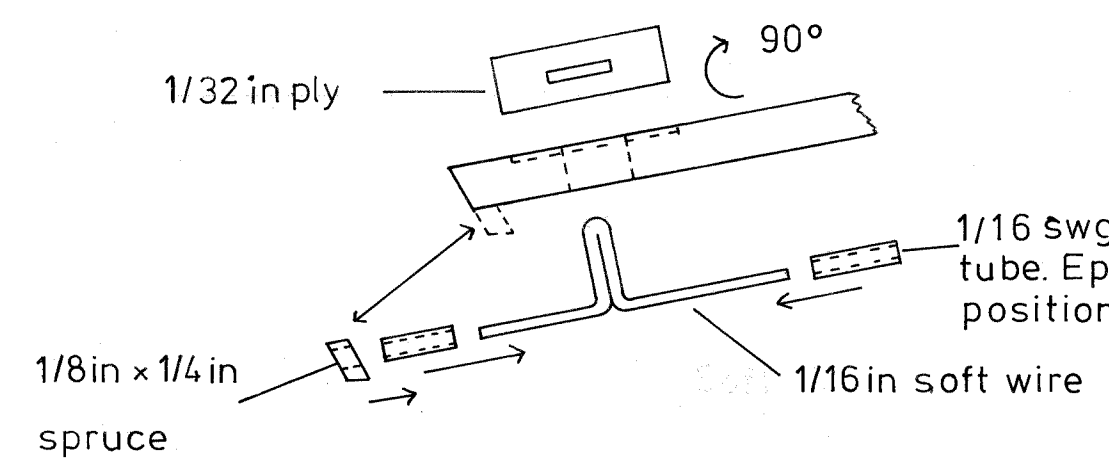


Osprey 99

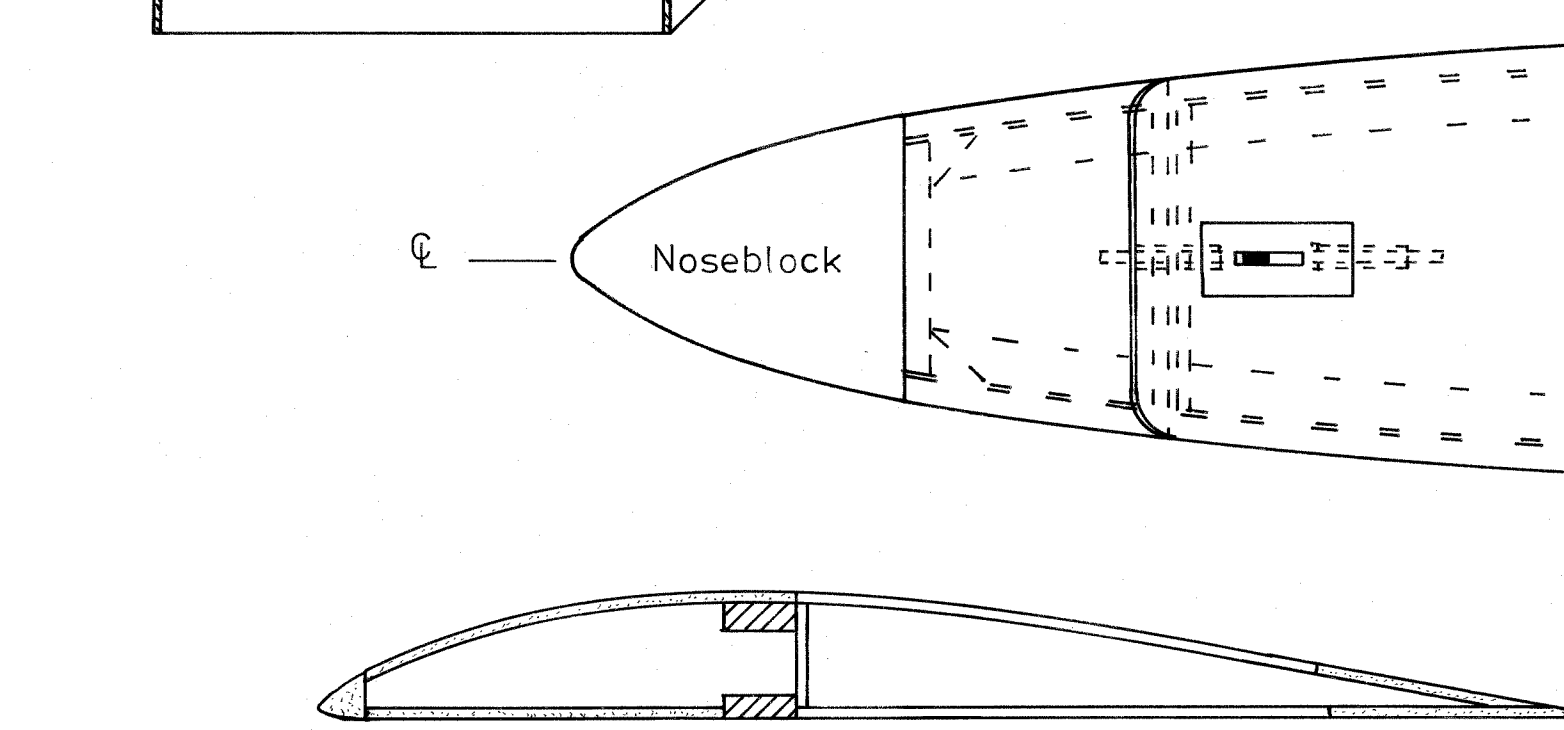
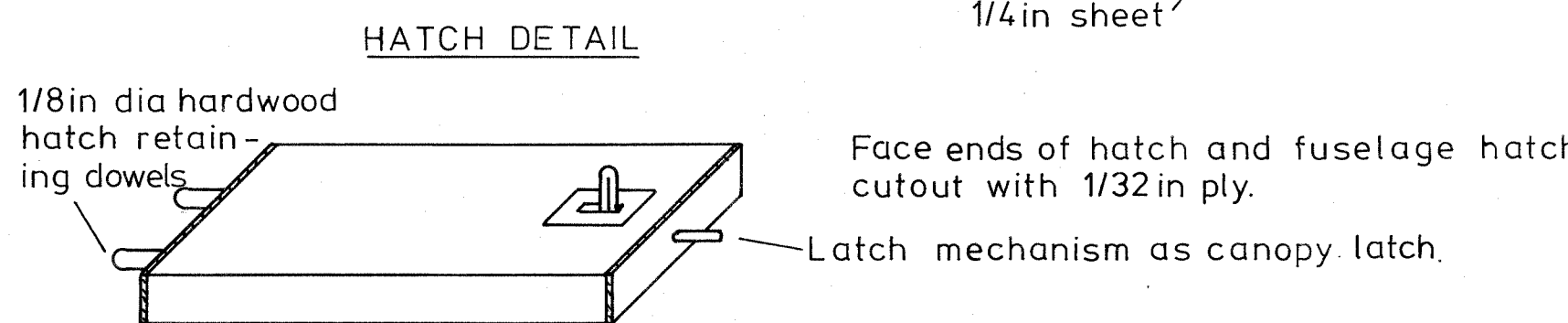
99in span 100 S Class Thermal Soarer
 Designed by: Stan Yeo

All woods Balsa unless otherwise stated

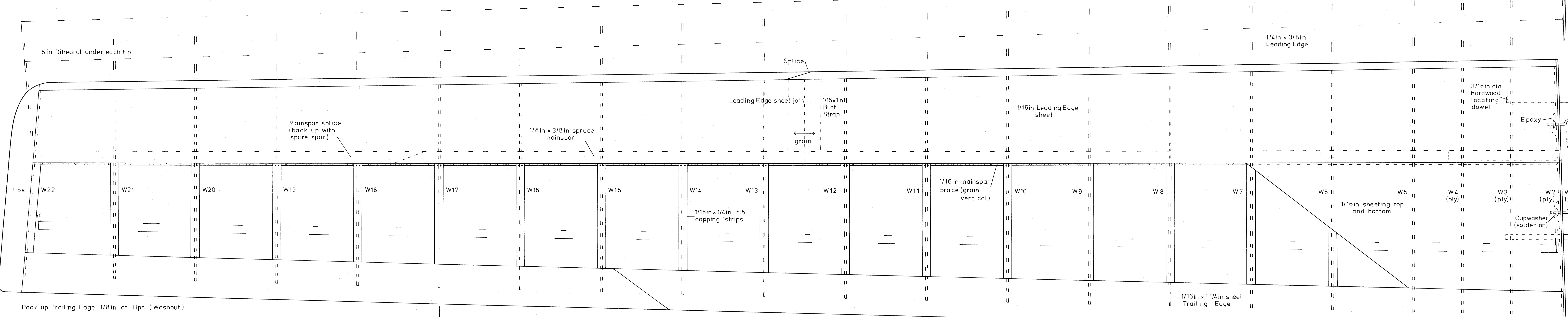
Canopy Latch Detail



NOTE: Fibreglass inside of nose for added strength

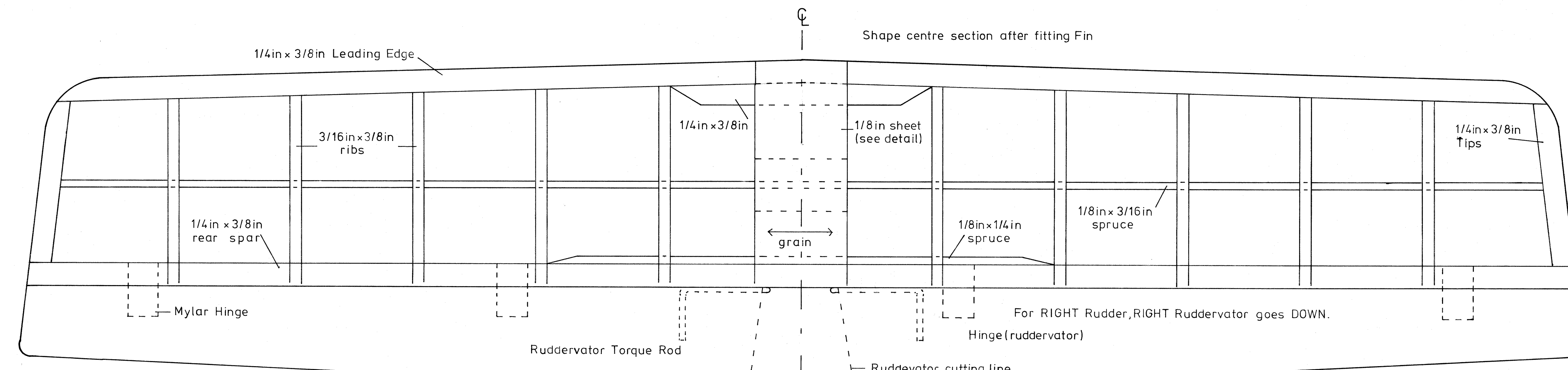


Typical Wing Section

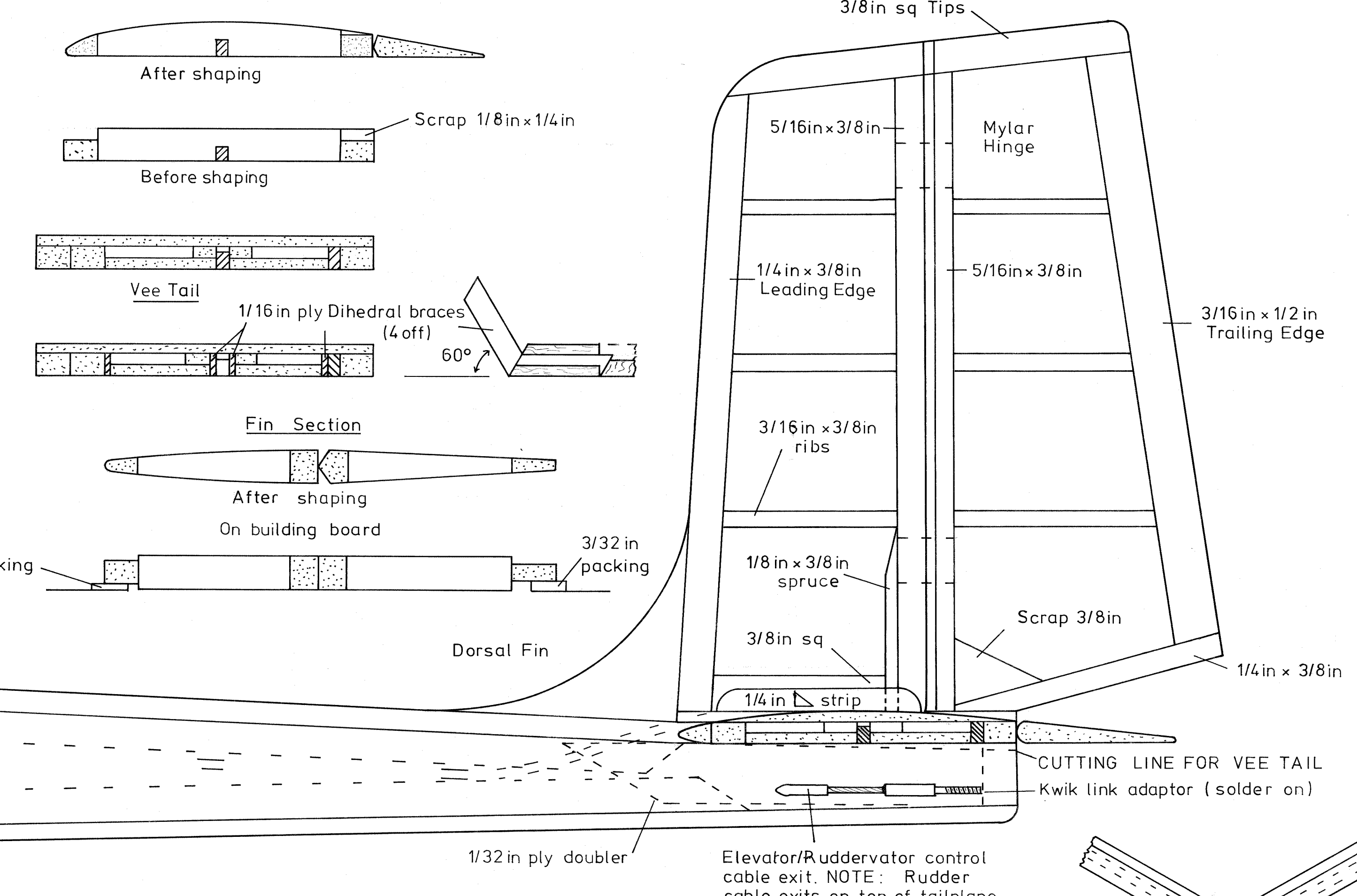


Pack up Trailing Edge 1/8 in at Tips (Washout)

Washout starts here



Typical Tailplane Sections



CONTROL MOVEMENTS

Elevator $\pm 3/16$ in
 Rudder ± 1 in - $1 1/2$ in

