

2 ins Dihedral under each tip

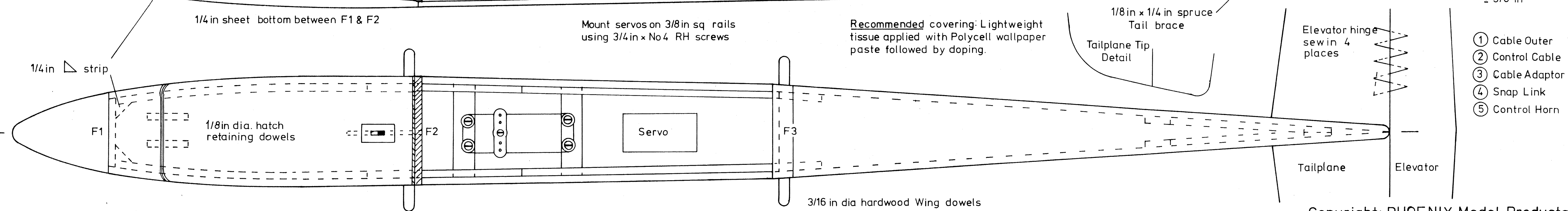
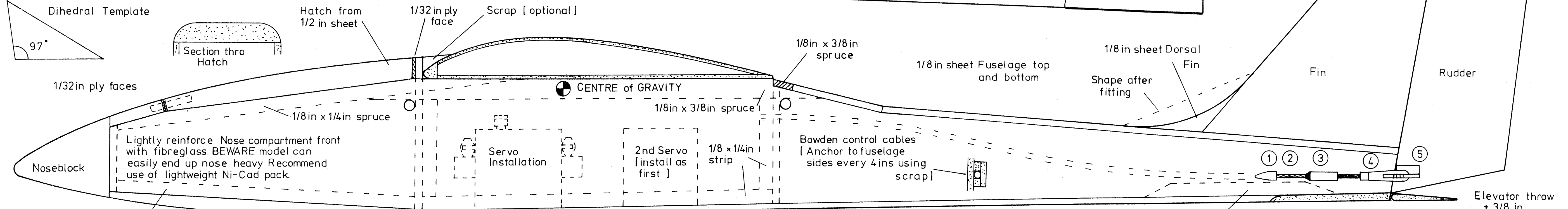
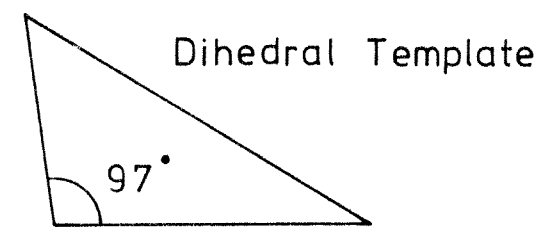
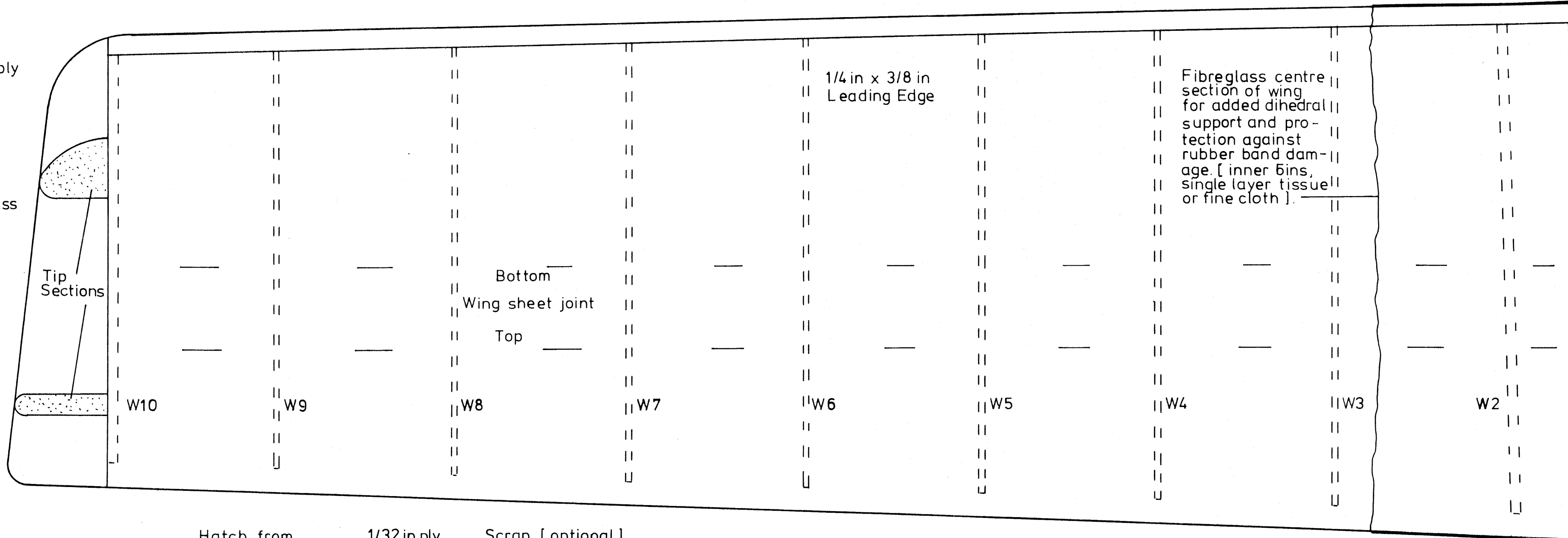
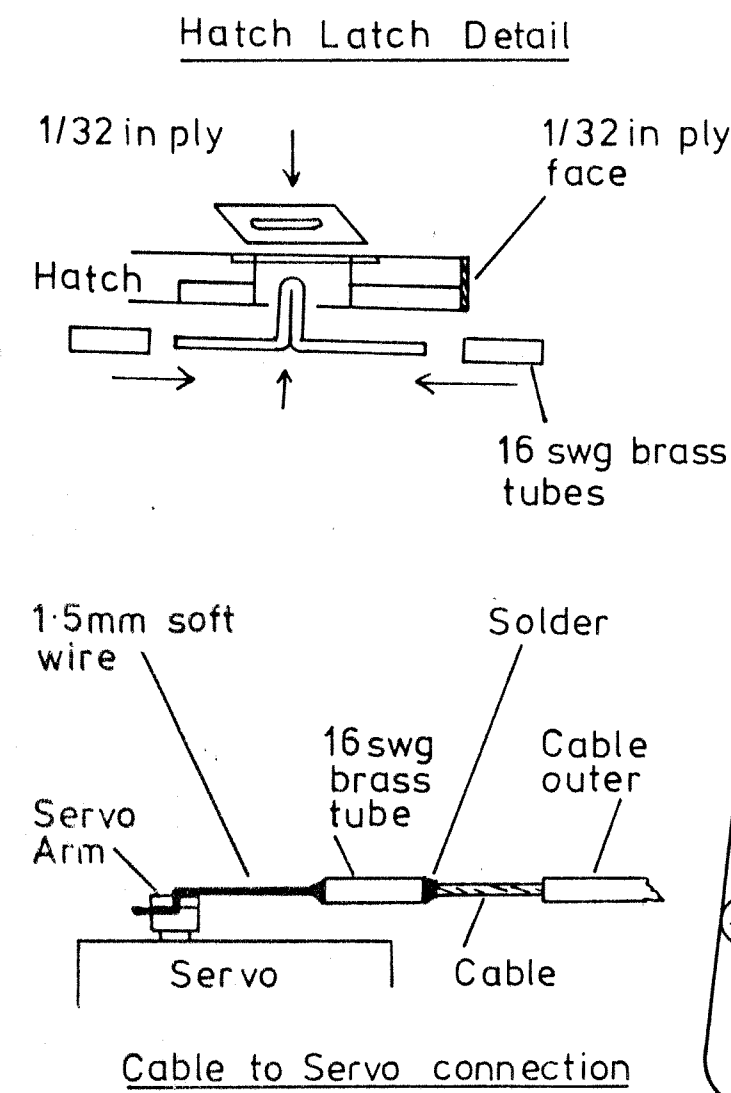
# Mini-METRO

38in span Fun Slope Soarer  
Designed by: Stan Yeo

All wood balsa unless otherwise stated

To obtain plan of Stbd Wing draw over wing plan with carbon paper underneath, carbon side uppermost.

Set Root rib at Dihedral Angle



- ① Cable Outer
- ② Control Cable
- ③ Cable Adaptor
- ④ Snap Link
- ⑤ Control Horn