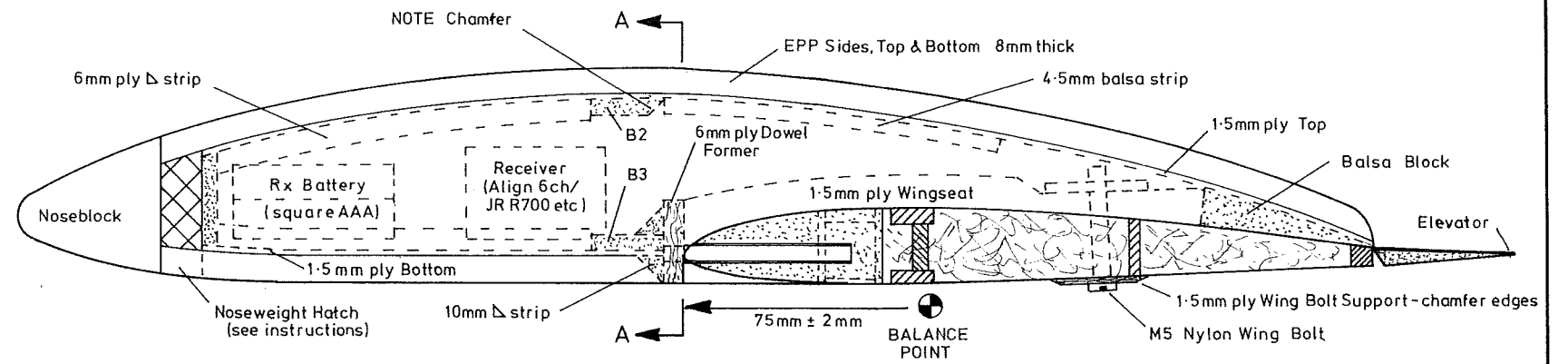
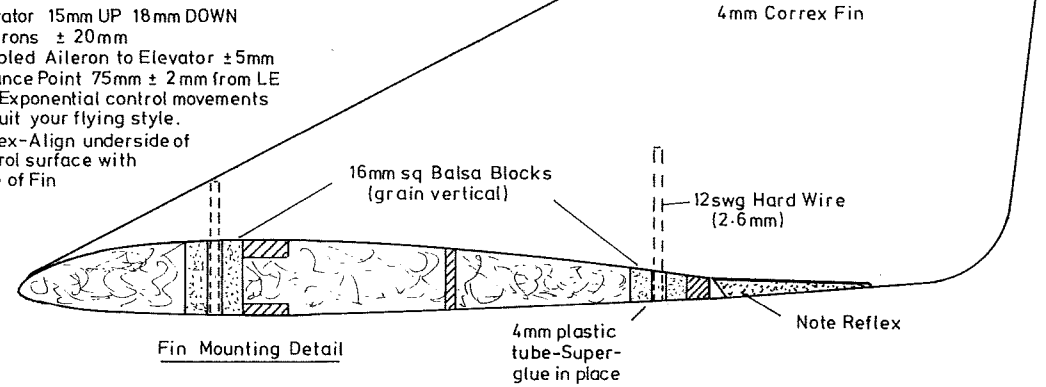


Hoodlum

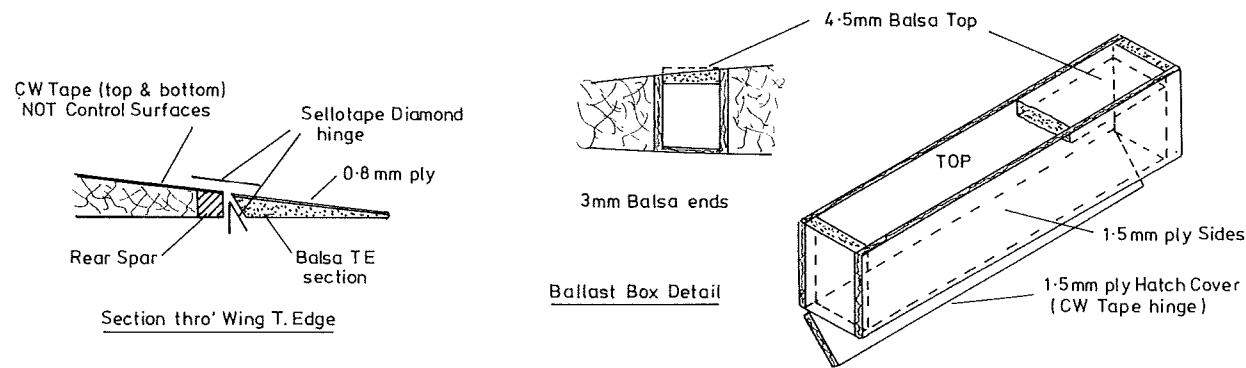
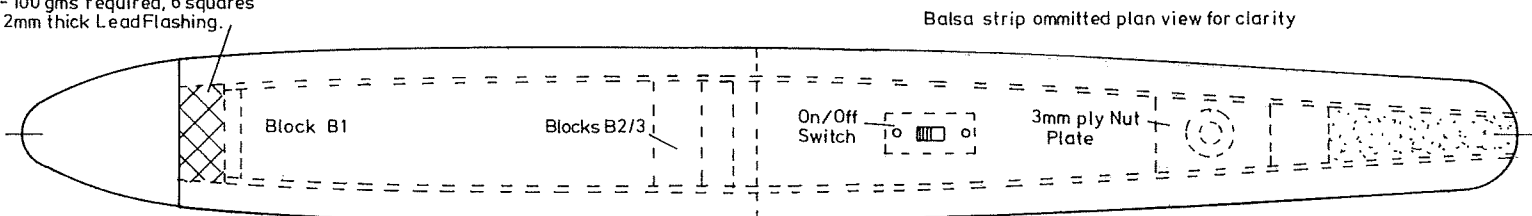
Designed by: Stan Yeo
Span: 1520mm EPP Sport Flying Wing

MODEL SETUP

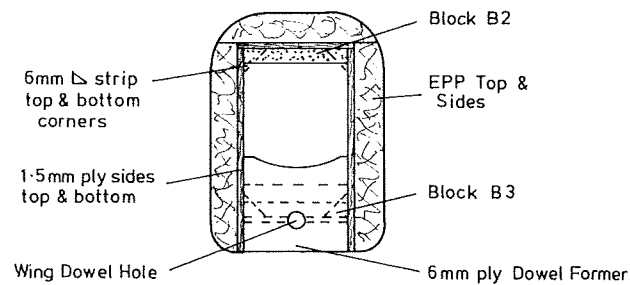
Elevator 15mm UP 18mm DOWN
Ailerons ± 20 mm
Coupled Aileron to Elevator ± 5 mm
Balance Point 75mm ± 2 mm from LE
Use Exponential control movements to suit your flying style.
Reflex-Align underside of control surface with base of Fin



Noseweight Cavity - approx. 90-100 gms required, 6 squares of 2mm thick LeadFlashing.



Section thro' Fuselage at A A



Wing Bolt/ Nut Assembly

