

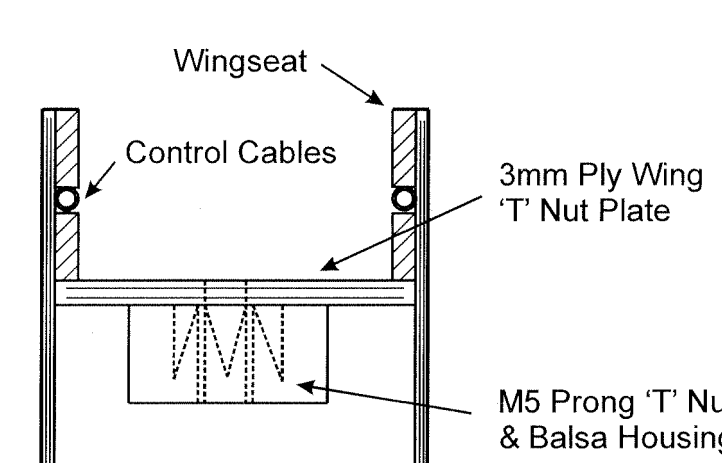
# Cariba Mk2

Designed by: Stan Yeo  
1600mm Span Aerobatic Slope Soarer

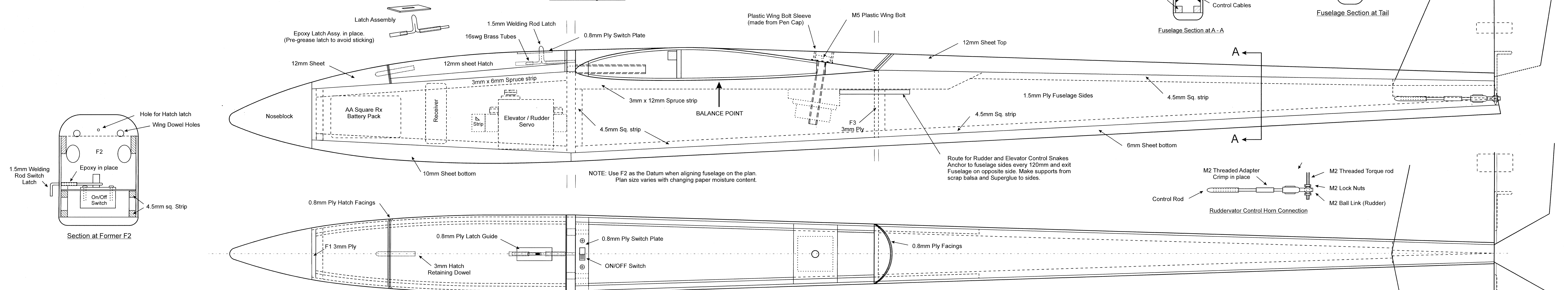
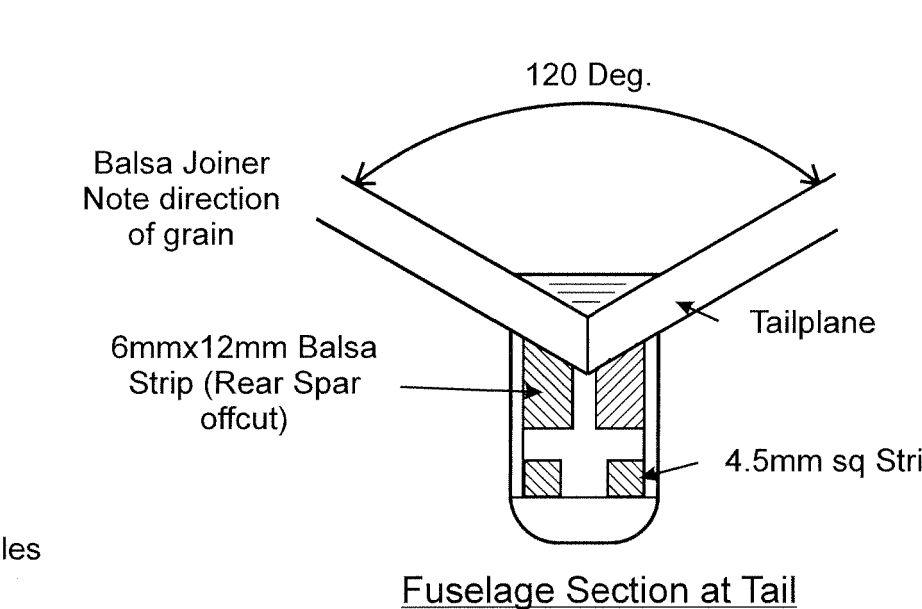
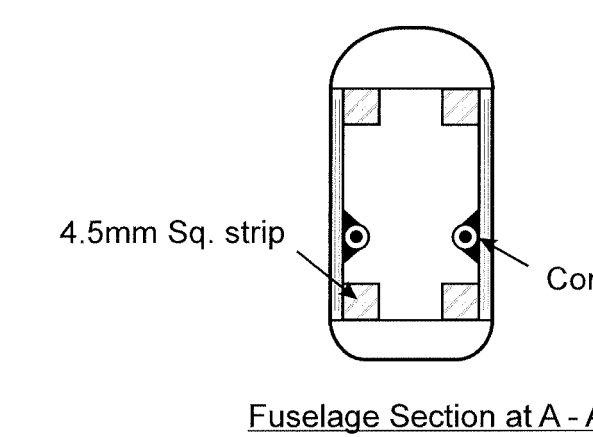
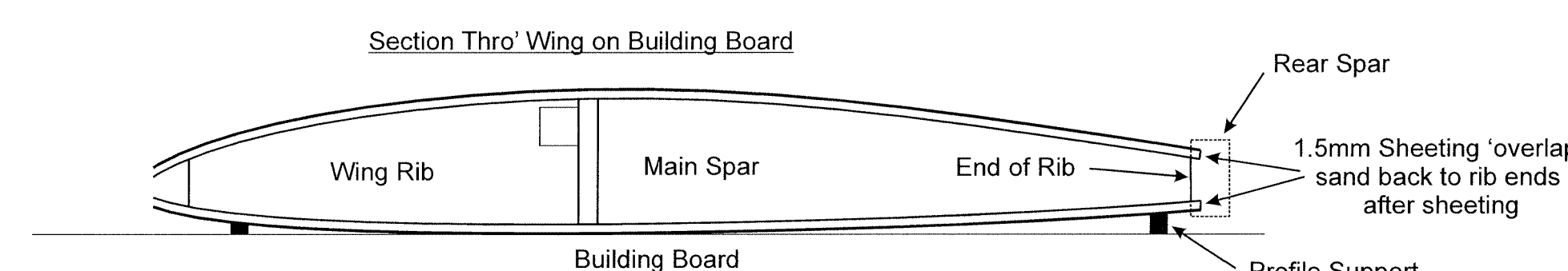
All Wood Balsa unless otherwise stated

## CONTROL SETTINGS

Rudder +/- 30mm  
Ailerons Up 16mm Down 13mm  
Elevator +/- 8 deg  
Up Elevator Flap 4mm  
Down Elevator Flap 2mm  
Landing Flap 1 Up 6mm  
Landing Flap 2 Up 16mm  
+ Up Elevator Compensation To Suit  
Balance point 105mm +/- 5mm  
Target Weight 890gms (2lb)



Section Thru Wing Bolt Plate



NOTE: Use F2 as the Datum when aligning fuselage on the plan. Plan size varies with changing paper moisture content.

Route for Rudder and Elevator Control Snakes Anchor to fuselage sides every 120mm and exit fuselage on opposite side. Make supports from scrap balsa and Superglue to sides.

